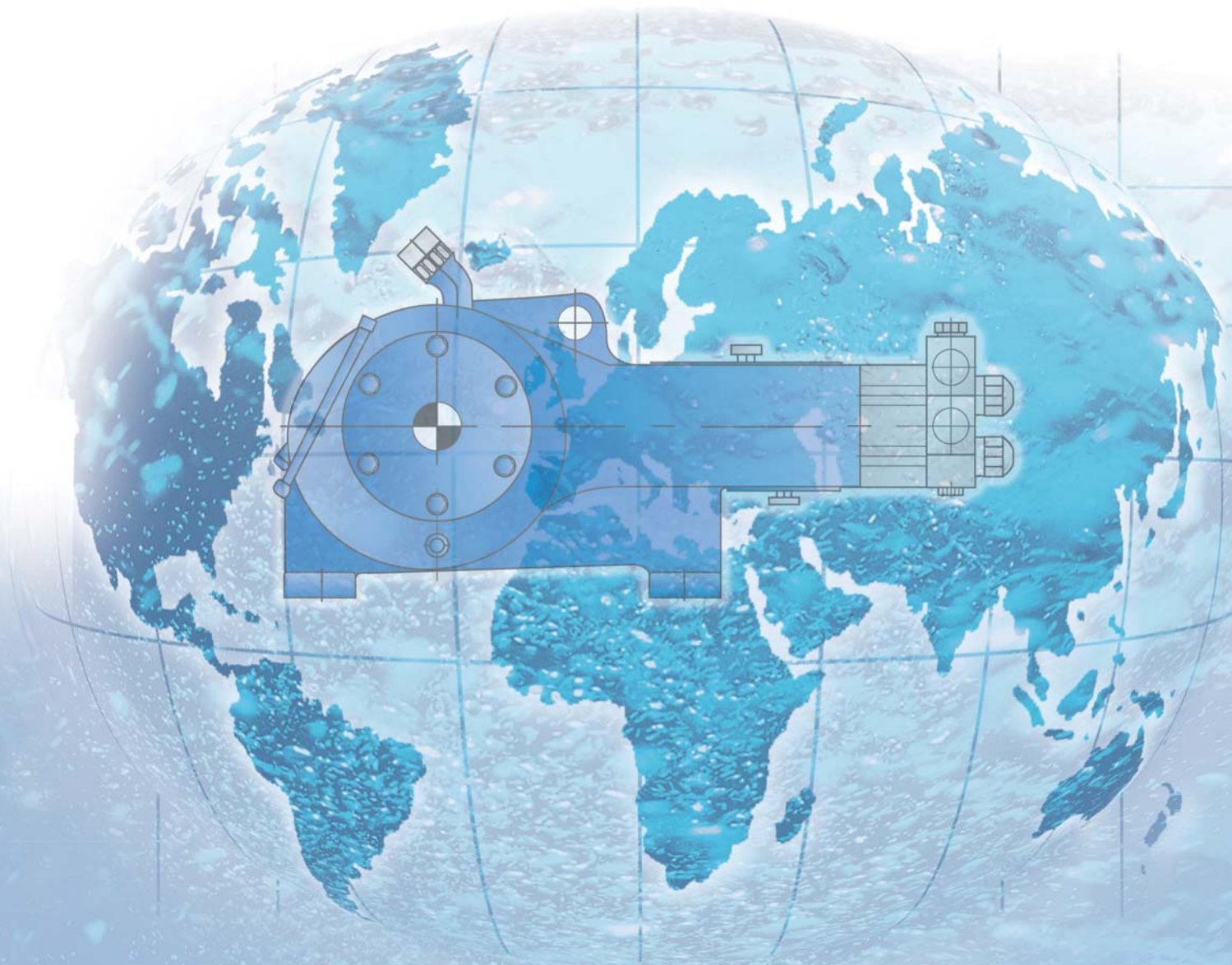


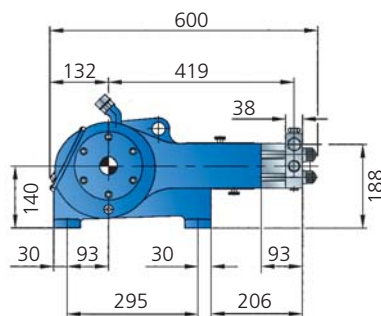
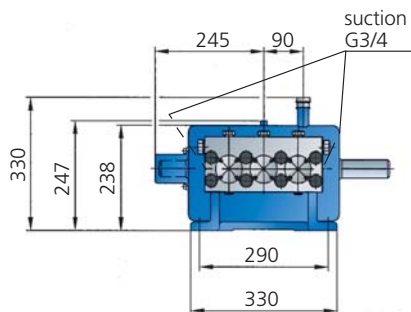


Water as a tool
for a clean environment

High-Pressure Plunger Pump Y-Line (up to 1000 bar)

55 Y

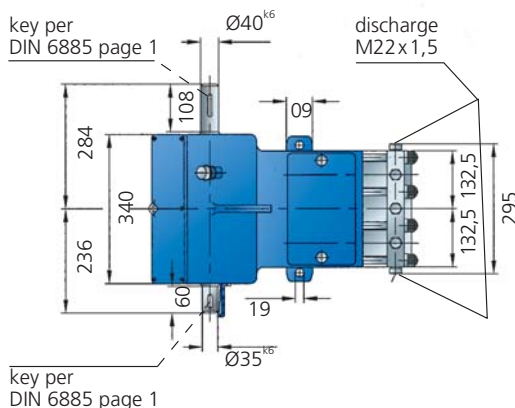




All dimensions in mm
 Thread "M" as per DIN 13/ISO 261
 Thread "G" as per DIN ISO 228/1

Technical Data:

- ▶ Oil capacity: approx. 4.5 l
- ▶ Weight: approx. 97 kg net
- ▶ Stroke: 44.5 mm
- ▶ Inlet pressure required:
3 – 8 bar / 45 – 115 psi
- ▶ Rod force: 21.6 kN



Performance Chart Pump Type 55 Y

Plunger-diameter (mm)	Crank shaft (Rpm)	Required drive (kW)	Nominal flow rate			Maximum permissible operating pressure (psi/bar)
			USG pm	IMPG pm	l/min	
P 15	1000	40	6.10	5.10	23	14,500/1,000
	750	30	4.50	3.70	17	
P 16	1000	46	6.90	5.70	26	14,500/1,000
	750	34	5.00	4.20	19	
P 18	1000	50	8.70	7.30	33	12,325/ 850
	750	37	6.50	5.40	25	
P 20	1000	51	10.80	9.00	41	10,150/ 700
	750	38	8.00	6.70	30	

General Features

- ▶ Very compact design due to the Y-arrangement from suction and pressure line to the working room
- ▶ Two-piece pump head
- ▶ Very high service life even in continuous operation
- ▶ Low weight

Pump Gear

- ▶ Proven pump gear construction, dust and splash water protected

Pump Head

- ▶ Very flat, load-stress free pump head
- ▶ Corrosion resistant, high-strength forged steel

- ▶ Exclusive valve-seat construction
- ▶ Conversion set for different water flow rates and operating pressures
- ▶ Additional sealing-water system
- ▶ High hydraulic efficiency
- ▶ Easy maintenance due to simple assembly

Additional Equipment

- ▶ Pressure regulating valve, manually or pneumatically operated
- ▶ Pneumatically operated 2/2-way switch valve
- ▶ Full lift safety valve
- ▶ Plungers made from special materials

Delivery Programme

High-pressure plunger pumps
 High-pressure water jet systems
 High-pressure water tools and accessories

Fields of Application

Agriculture
 Automotive and aviation industry
 Beverage industry
 Cement industry
 Chemical industry
 Construction and concrete industry
 Engineering industry
 Food industry
 Glass, porcelaine, ceramic industry
 Iron, steel and metal industry
 Mining
 Municipal services
 Offshore industry
 Power industry
 Public transport
 Pulp and paper industry
 Ship building
 Wood working industry